

SMARTair™ Electronic Keypad escutcheon

Euro profile

Pro Wireless Online



ASSA ABLOY











SMARTair™
Your Access. Your Control.

ASSA ABLOY, the global leader
in door opening solutions

The SMARTair™ wireless and battery powered escutcheons are ideal for transit, office or meeting room doors. The wide range of escutcheons offer a RFID reader and locking mechanism in one for all kind of doors.



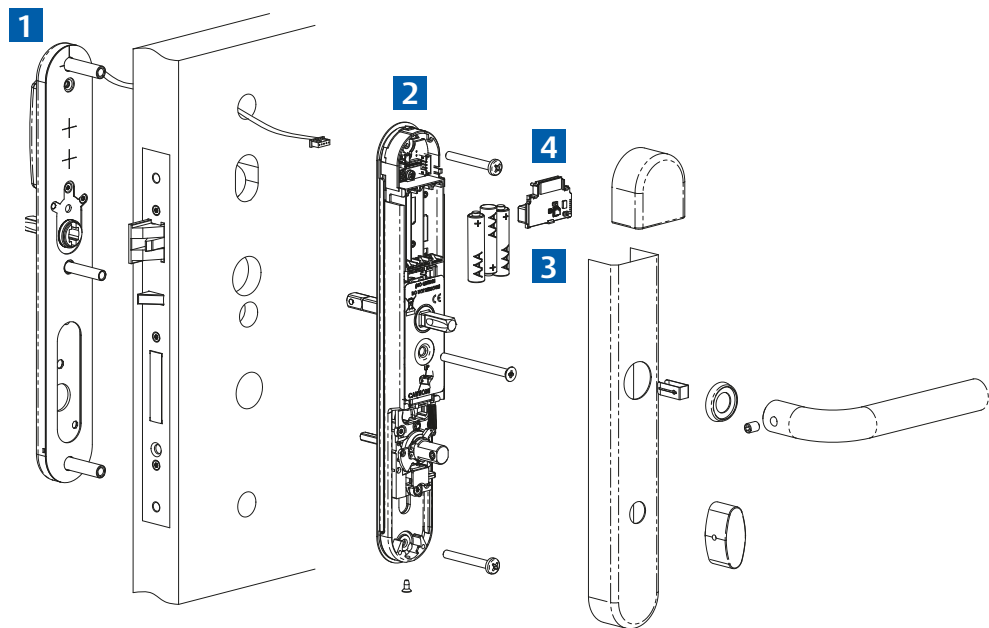
Technical data - SMARTair™ Keypad escutcheon

	Door profiles	Suitable for wooden, narrow or glass doors
	Traffic volume	Medium to high
	Exterior usage	IP54 (Extreme version) Up to 85% humidity -20°C to +70°C
	Hardware compatibility and installation	High retrofit (compatible with most common mortise locks) Drilling, no cabling Doors from 30mm up to 120mm (thicker doors may be possible on demand)
	Power supply	Battery (from 60.000 to 80.000 cycles)* max. 2 years standby** Type of batteries: 3 LR03 AAA 1.5V alkaline batteries
	Multi-authentication	RFID and PIN
	Status information	Handle usage Thumb turn use: only in privacy model Door position: door sensor not included NO (normally open) connection Override cylinder (in combination with special mortise lock)
	Certifications	CE (EMC, R&TTE) ROHS, REACH, WEE EN1634 (Fire)
	RFID technologies	HID iCLASS® MIFARE Classic and Ultralight SKIDATA DESFire
	System management upgradability	Escutcheons can be upgradeable from Standalone > Offline / Update On Card > Wireless Online by: · Adding RF module · Firmware upgrade · Change of internal cover (plastic top)

* Depending on reading technology (MIFARE, iCLASS etc.):

** Depending on cycles per day.

Electronic Technical Characteristics



1 Reader Module

- Activation Mode: The escutcheon is activated without any previous contact with the escutcheon, just approaching the credential, ensuring an efficient power consumption.
- Reading distance: 2-4 cm read/write distance with standard RFID credentials.
- Emergency opening: Jack connection is available to connect the portable programmer and emergency kit.
- RFID reader with capacitive keypad and backlighting LEDs (green/red/blue) for different warning signals: access authorized or denied, low battery level, etc.
- Buzzer included for PIN confirmation and access denied.
- Operating modes:
 - Only RFID.
 - Only PIN.
 - RFID + PIN.
 - PIN + RFID.

2 Control Unit

- Upgradeable firmware.
- Non-volatile memory. The escutcheon can be programmed to operate in 2 modes:
 - Normal mode: 1500 users and 600 events.
 - High traffic door: unlimited number of users filtered into 48 groups (permissions). Stores 1000 events.
- Number of PINs:
 - PIN + RFID (or RFID + PIN): unlimited PINs (stored in card).
 - Only PIN mode: 8.
 - 1 door PIN.
 - 7 common PINs per installation selectable in each door.
 - Type of PIN: 4-6 digits.

- Real-time clock and calendar:

- 14 time zones with 5 time periods (week days and holidays selectable).
- State tables: configure 20 changes of operating modes in a door per day (switch door from lock to unlock).
- Yearly calendar: is updated every month automatically by the wireless system.
- Automatic DST: Daylight Saving Time change. Updated with calendar.

- Operating modes:

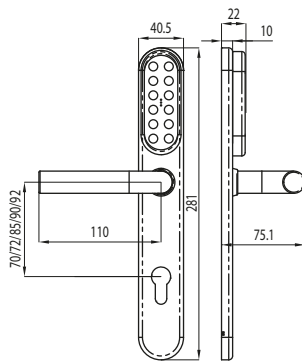
- Standard: Default operating mode. Freewheeling handle until valid credential presented, then allows to open the door for 4-10 seconds (configurable).
- Standard ADA: Standard with double opening time.
- Passage mode: Escutcheon is always in open mode (configured by time zones or by authorized user after double badging).
- Double user: Two valid credentials needed to open the door.
- First user: lock in standard mode until first valid user enters, then will remain in passage mode (until closed by authorized user or automatically by time zone, state tables).

3 Battery Module

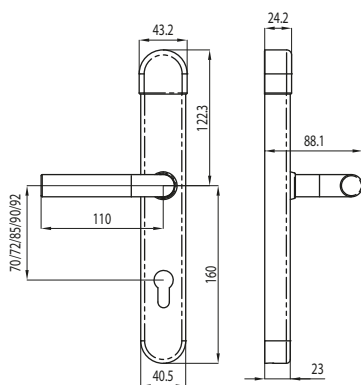
- Easy battery change.
- Maintains clock/calendar for 5 minutes without batteries.
- Battery status reported on every event or once a day if no event happens.

4 RF Module

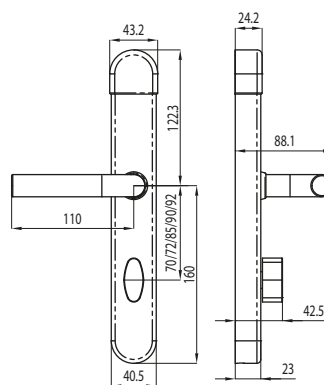
- 868MHz or 915MHz selectable in field
- 30 configurable channels:
 - From 868,00 to 875,25 in steps of 0,25Mhz each channel.
 - From 915,00 to 922,25 in steps of 0,25Mhz each channel.
- Auto-link with communication Hubs (easy setup).
- Upgradeable firmware.



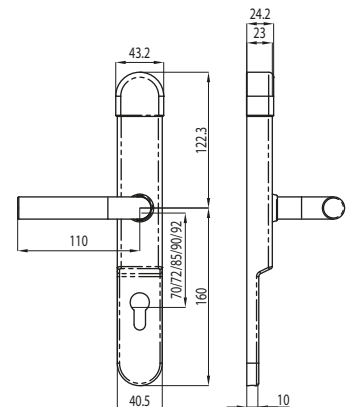
Ext. Keypad



Int. Cylinder



Int. Privacy



Int. 10mm

Mortise Lock

- Compatible with standard European mortise locks with different distances between axes 70, 72, 85, 90 & 92mm.
- 7, 8 & 9 mm spindle models available.
- Pass through follower required (no split spindle).
- 42° handle turning should insert whole latch bolt (special model with 60° turning available).

Door width

- Suitable for doors with a thickness from 33 to 110mm.
- The escutcheon's spindles have different lengths depending on the thickness of the door. It is necessary to provide the X and Y measurements (from mortise lock center to outside and inside).
- Spindle is dismountable, for flexibility in field.

External Handle

- Freewheeling handle connects to spindle when access is granted.
- Different designs available in SMARTair™ portfolio.
- Compatibly with other handles (check compatibility with your dealer):
 - Maximum weight 300gr (at 50mm from spindle).
 - Lateral fixing screw required.

Internal Handle

- Panic function, internal handle always opens door.

Handle shapes and surfaces



Vector



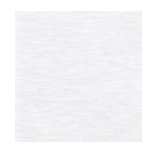
Xara



Sena



Zafira



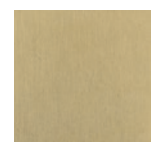
Stainless Steel



PVD Satin Chrome



PVD Polish Brass



PVD Matt Brass

ASSA ABLOY is the global leader in door opening solutions, dedicated to satisfying end-user needs for security, safety and convenience.

ASSA ABLOY

www.assaabloy.com



ASSA ABLOY

TESA is the leading Spanish manufacturer and supplier of locking solutions and access control technology for the residential and institutional markets. TESA has a wide and complete range of products including panic exit devices, cylinders, security locks, knobs and handles, door closers, access control solutions with electronic cylinders, electromechanical and electromagnetic solutions and armoured doors. TESA exports to markets such as Latin America, Middle East, Europe, Asia Pacific and the North African countries.

SMARTair™ Your Access. Your Control.

SMARTair™ is a powerful access control system that offers an intelligent, yet simple, step up from keys. SMARTair™ is the cost-effective alternative to a full high-security system. SMARTair™ contactless, smart card technology is easily incorporated into existing systems, with multiple management solutions. No bells, whistles, or wires, just sleek, reliable security.

Talleres de Escoriaza S.A.U.
Barrio de ventas 35
20305 Irun
Gipuzkoa · España
T: +34 943 669 100
F: +34 943 633 221
tesalocks@tesa.es
www.tesa.es/smartair